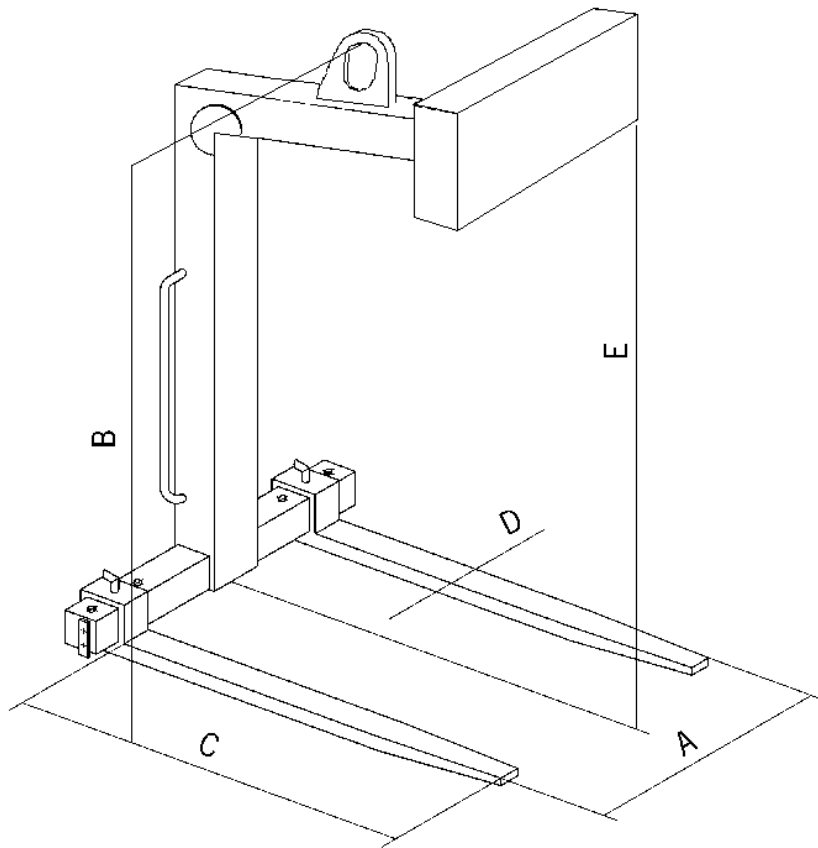


DESCRIPTION

The CFCW crane fork is supplied with adjustable tines, 1000mm long. The unloaded crane fork is balanced with a counterweight. The hook suspension eye is positioned over the load's centre of gravity 500mm from the front face of the vertical support. The crane fork can be supplied with an adjustable height mechanism if required. The CFCW crane fork can be designed for any WLL and volume of load.

DIAGRAM



TABLE

MODEL	WLL Tons	Weight kg	A	B	C	D	E
CFCW 1	1	170	350-900	1300	1000	100 X 30	1100
CFCW 2	2	200	400-900	1300	1000	120 X 40	1100
CFCW 3	3	270	450-900	1400	1000	120 X 50	1100
CFCW 5	5	490	500-1000	1450	1000	150 X 60	1100