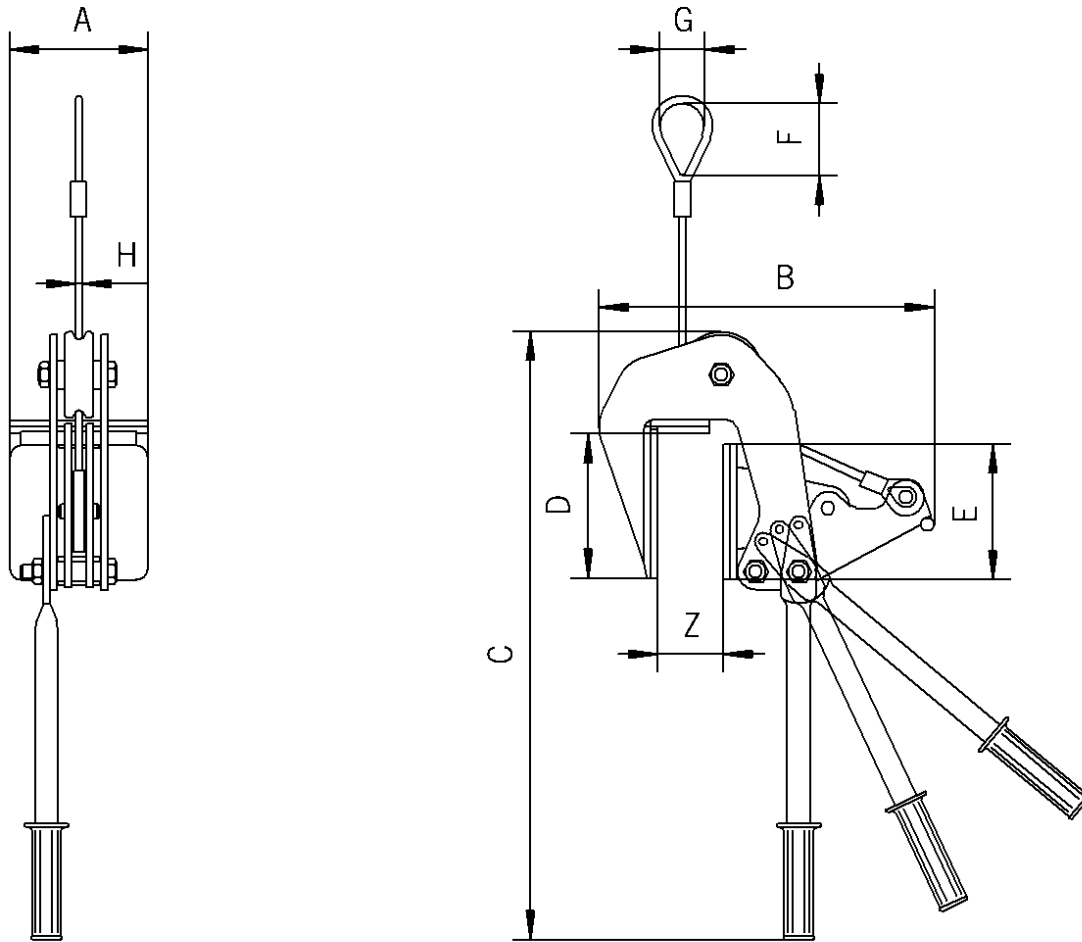


DESCRIPTION

The TPZ BoardClamp has been designed to facilitate the lifting and handling of boards / plates of timber, plastics, laminates and plasterboard. Loads can be lifted from the horizontal position for transport in the vertical position. The clamp is fitted with a handle to enable the operator to guide the load during transport. The jaws are fitted with large area rubber pads to prevent damage to the load.

DIAGRAM



TABLE

MODEL	WLL Kg	Weight Kg	Jaw Cap (Z) mm	A mm	B mm	C mm	D mm	E mm	F mm	G mm	H mm
TPZ400/55	400	8.0	0 - 55	120	290	525	125	117	60	40	6