

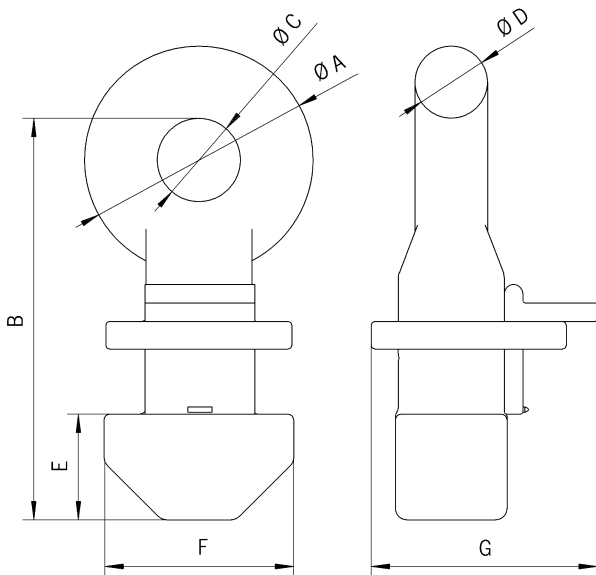
MkIIa

Self locking and suitable for shackling direct to 4 vertical slings. For use with a spreader beam, do not project over container

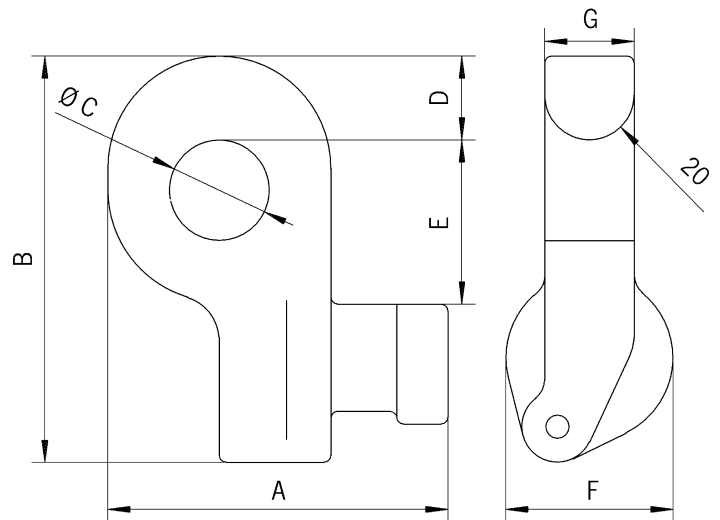
MKVa

This type of lugi smounted atthe sideofthe container (up or down)and has a spring-loaded bolt to prevent accidental release. It has been designed for use with a liftingbeam.

MkIIa

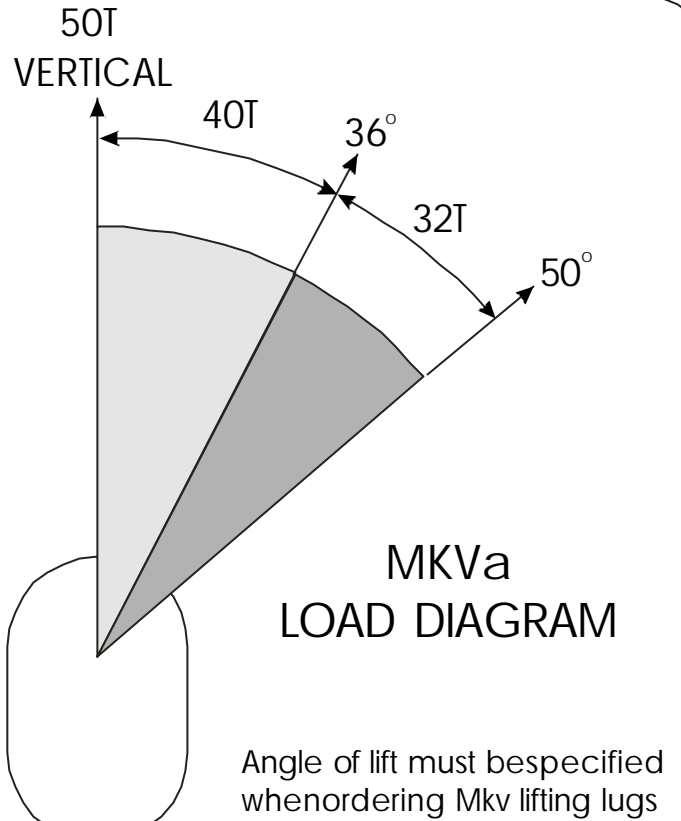
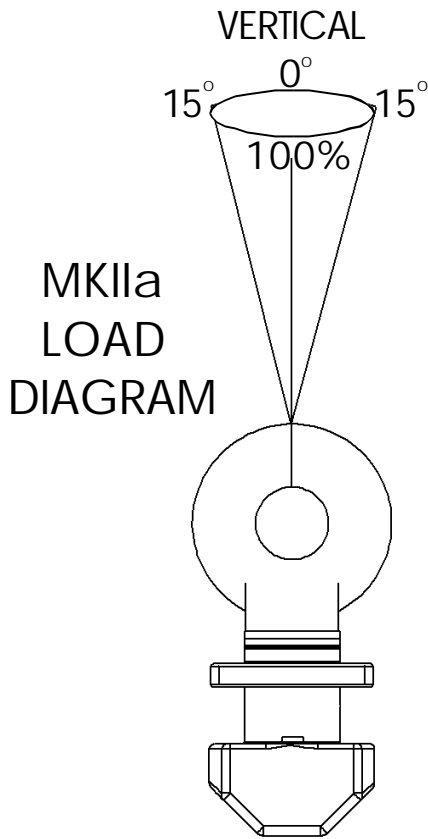


MKVa



TABLE

MODEL	WLL T Per set Of 4	Chain Angle	Weight KG	A	B	C	D	E	F	G
MKVa	32	50 deg	18	152	181	45dia	37	73	75	40
MKVa	40	36 deg	18	152	181	45dia	37	73	75	40
MkIIa	56	Vertical	28	123	217	45dia	39	57	101	121



**MkIIa**

The lug engages in the top corner and when turned through 90 degrees a lock ring drops and secures the lug. Available as a set of 4 with a total SWL of 56 tones



**MKVa**

Designed to eliminate the dangerous use of standard hooks, these lugs cannot drop out when the slings become slack. Lugs are handed left and right

