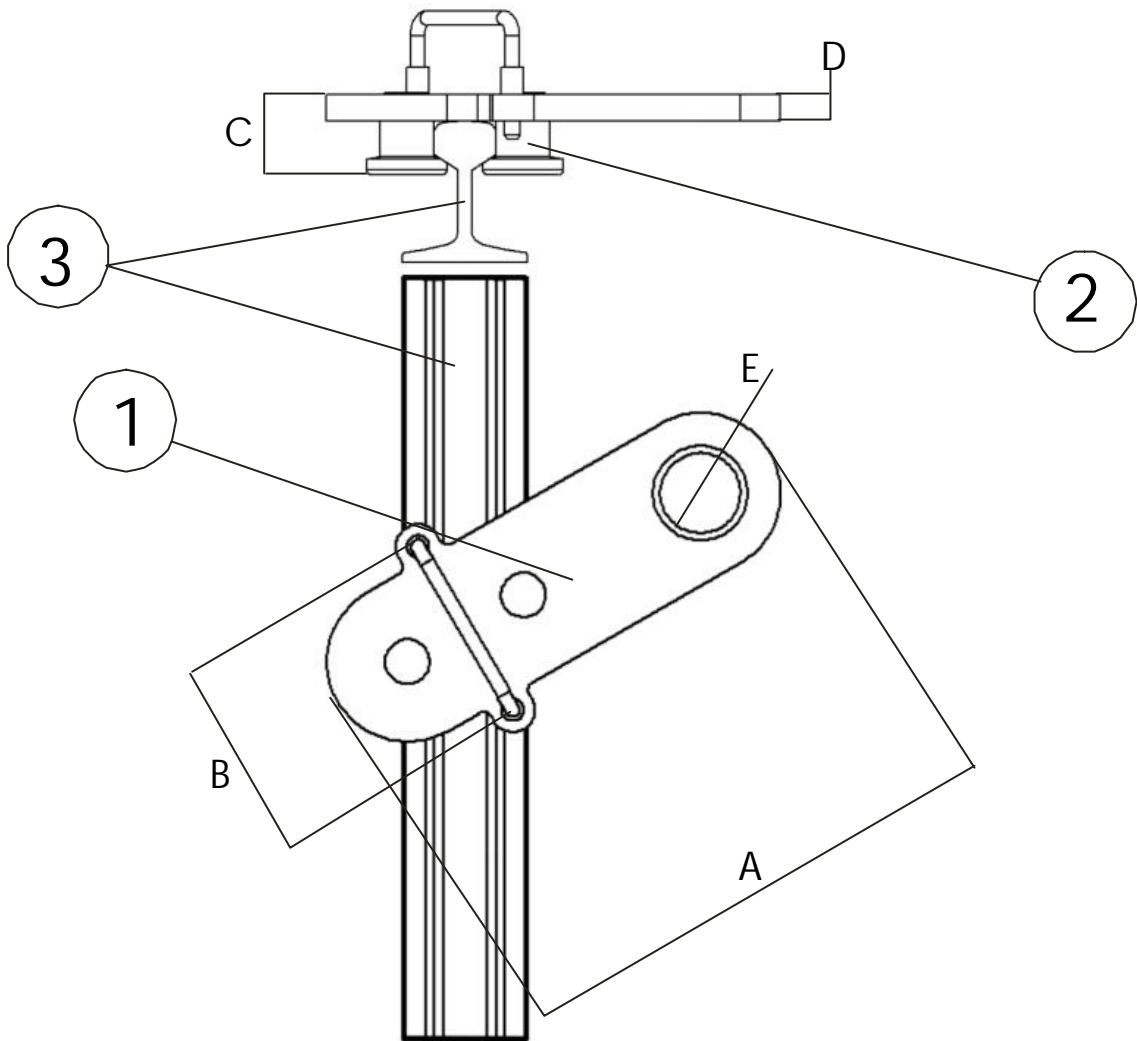


DESCRIPTION

The Camlok Rail Anchor is easily fitted to all standard rail-heads to provide a positive anchor for the pulling of wagons or loads using hand operated or power winches. The anchor can be used in the left or right hand operation, and is fitted with spring operated lockstops. The device is particularly useful in restricted spaces such as tunnels.

DIAGRAM



TABLE

MODEL	WLL Tons	Weight t kg	A	B	C	D	E
RA5	5	*	540	140	90	30	R90

- 1 - BODY
- 2 - PIN
- 3 - RAIL