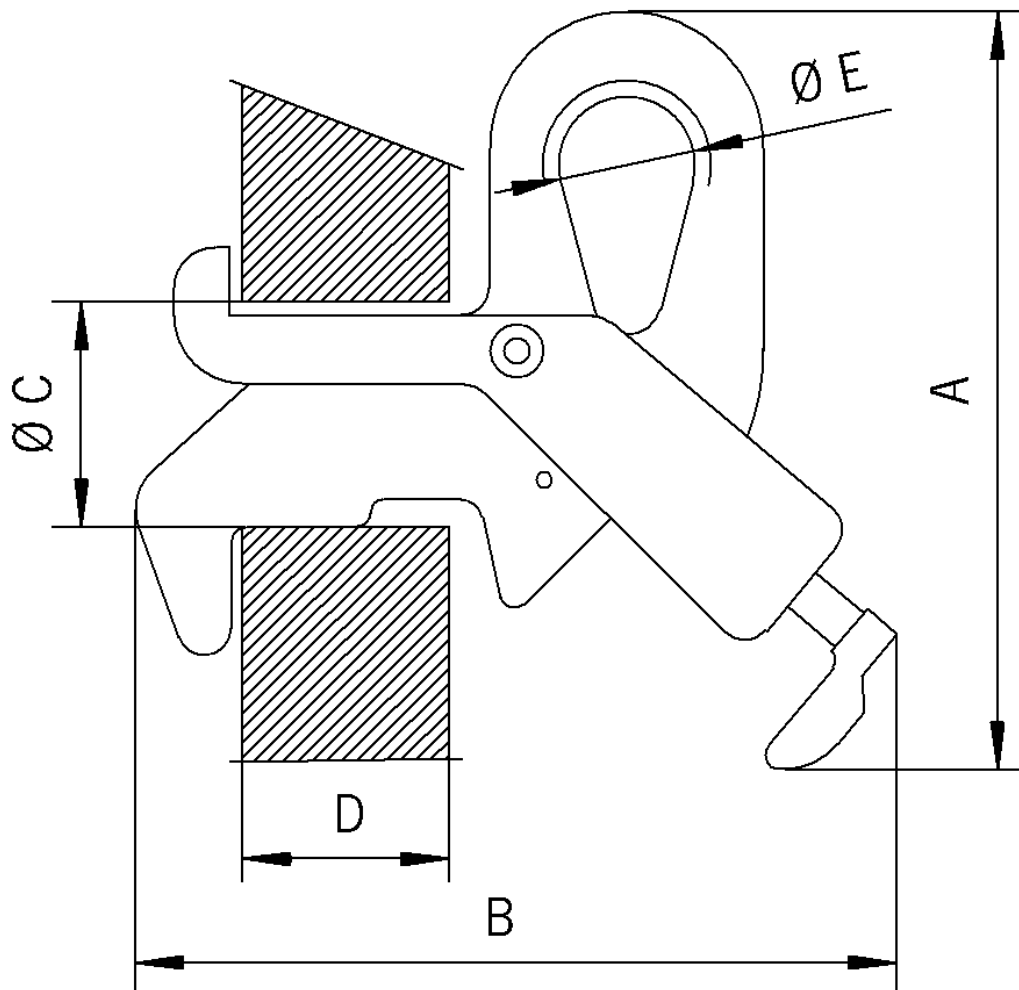


DESCRIPTION

The DL5 Cable Drum Lifting Lugs have been developed especially for the safe handling of cable drums. The lifting lugs which are used in pairs are easily inserted or removed from the cable drum and are held in position by a locking lever. The ability of the lug to be quickly locked in position, combined with its lightweight and compact size enables quick, easy and safe lifting of most types of drum.

DIAGRAM



TABLE

MODEL	WLL T Pair	Hole Size mm	Weight Kg Pair	A	B	C	D	E
DL5	5	82 x 85	11	277	277	82	85	50