

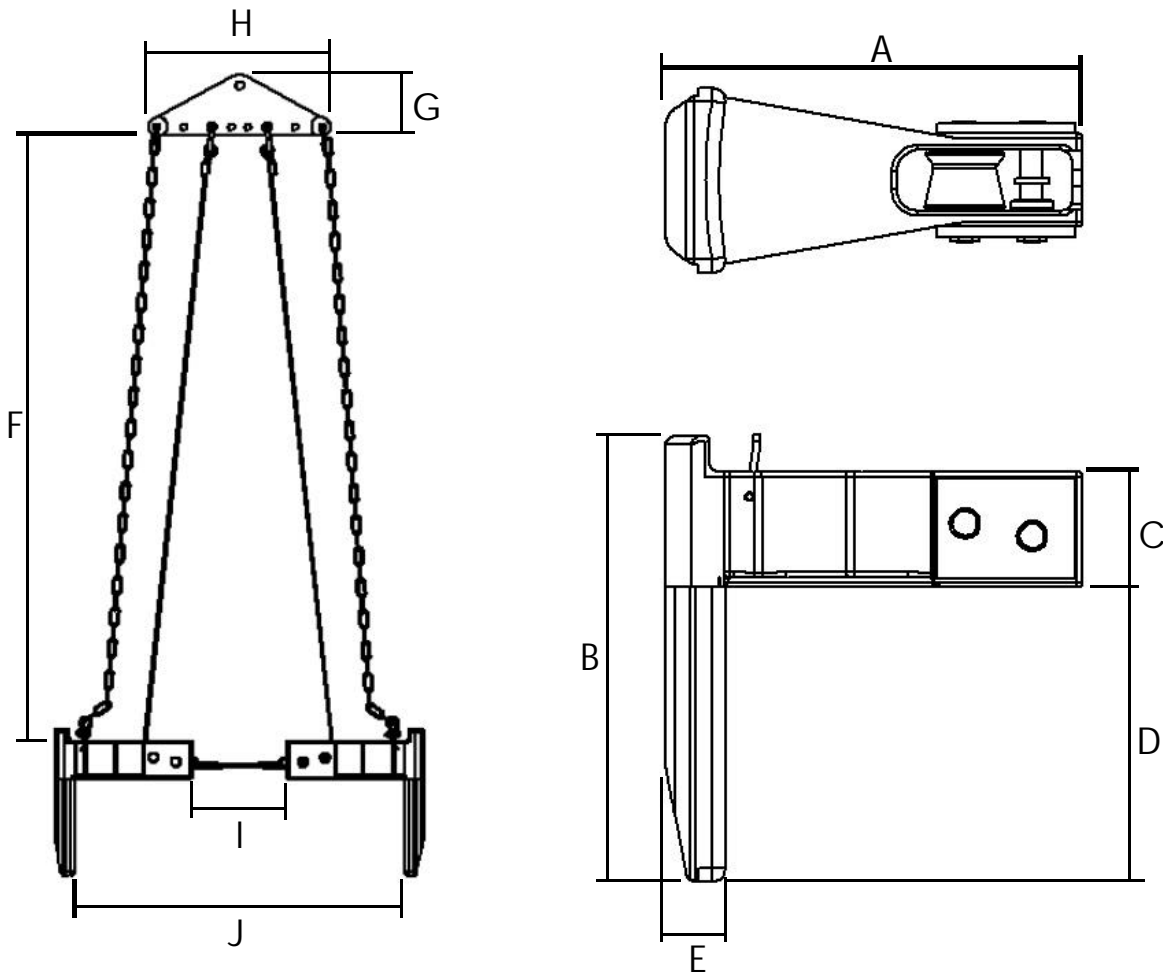
# PR1500 PAPER REEL HEAD CLAMP

# CAMLOK

## DESCRIPTION

The PR1500 PaperReel Head Clamp has been developed to lift single, or with the use of a spreader beam, several reels simultaneously. The design allows easy access to reels in confined spaces and is particularly useful for handling reels in freight boxcars, containers ship holds and cargo storage facilities. The clamp is manufactured from high-grade heat-treated castings and is fitted with rubber lifting pads to ensure a safe grip and prevent damage to the load.

## DIAGRAM



## TABLE

MODEL	WLL Kg	Weight Kg	A mm	B mm	C mm	D mm	E mm	F Min-Max	G mm	H mm	I Min-Max	J Min-Max
PR1500	1500	22	490	488	138	350	64	1250-1855	200	633	48-648	900-1500

Cad\TechnicalServ\

No. PR\*-020

Issue:1

Date:6/2/02

Sheet 1 of 1

By C T